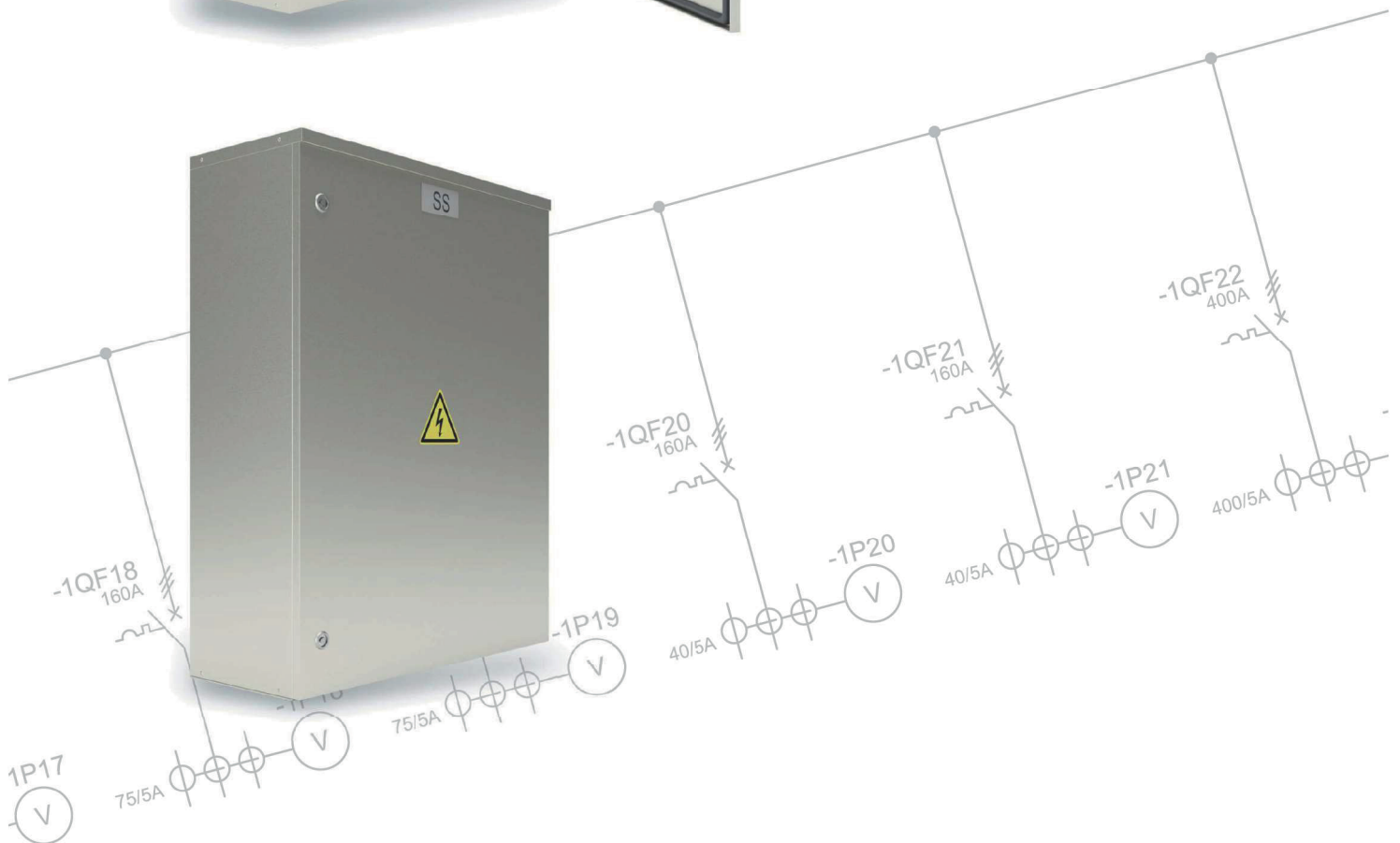




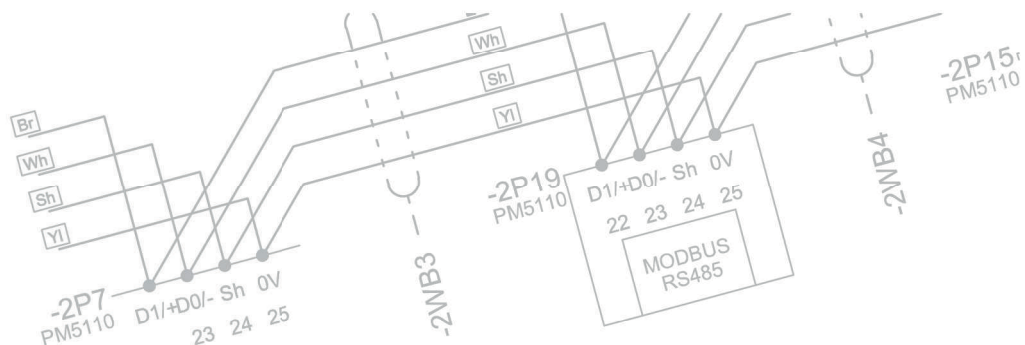
SS

Outdoor
distribution
cabinets



SS

Outdoor distribution cabinets



Description

Designed for the installation of electricity distribution and switching equipment.
 Suitable for indoor and outdoor use.
 Mounting methods: on the foundation, on the wall.
 Standard color- RAL 7035.
 Other colors are available according to project needs.

Technical Parameters

Ambient temperature -50...+40°C
 Degree of protection IP55
 Mechanical impact IK08
 Door opening angle 120°

Construction Material Coating

Frame, doors Galvanized sheet steel DX51+AZ150, t=1,5mm
 Powder painting: RAL 7035, ≥ 80µm
 Base Galvanized sheet steel DX51+AZ150, t=2,5mm

Dimensions height/width/depth (mm)

SS-60/45/24 600 / 450 / 240
 SS-80/60/24 800 / 600 / 240
 SS-100/60/24 1000 / 600 / 240
 SS-80/70/38 800 / 700 / 380
 SS-100/80/38 1000 / 800 / 380
 SS-120/80/38 1200 / 800 / 380
 Insert part height 400, 600, 800, 1000
 The height of the base 1000

Standarts

IEC/EN 62208
 IEC/EN 61439-1
 IEC/EN 61439-5
 IEC/EN 60529
 IEC/EN 62262
 LST EN 10346