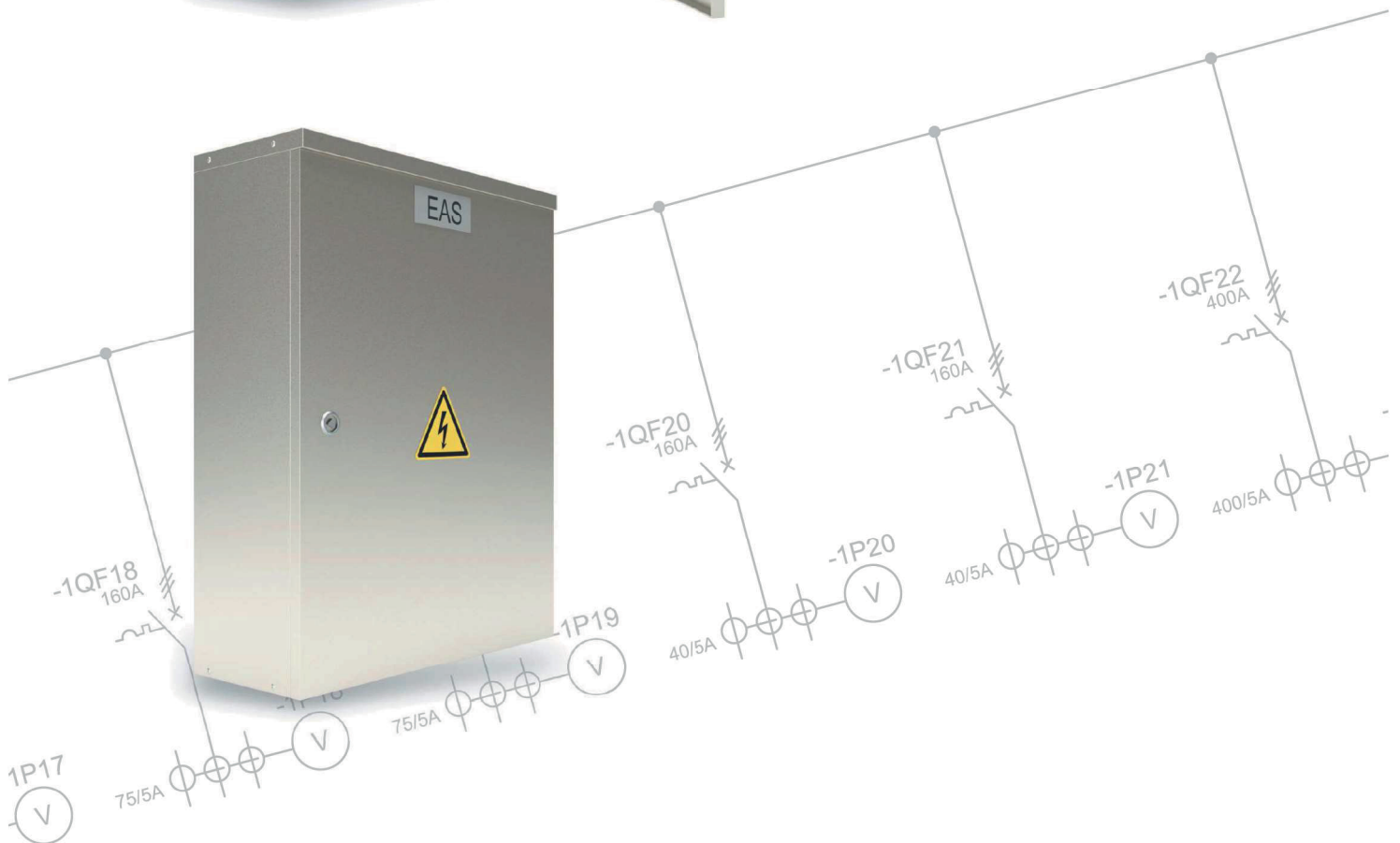




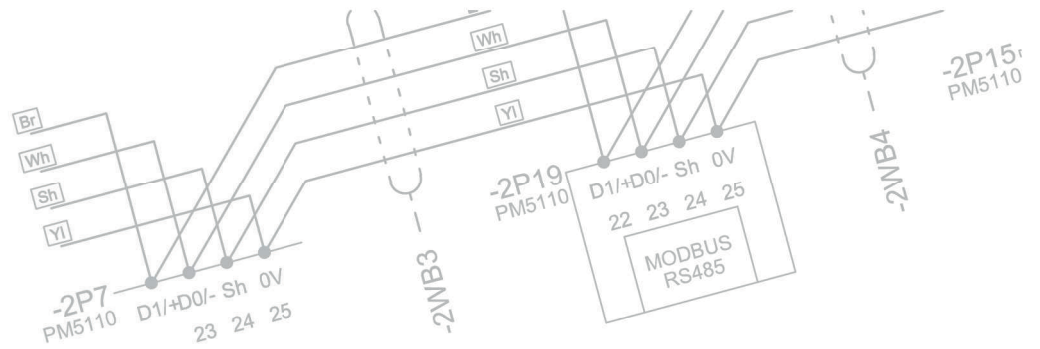
EAS

Metering cabinets



EAS

Metering cabinets



Description

Designed for installation of 230V/400V, 50Hz electricity energy meters.

The sealed module of the metering part is suitable for installation of different types direct connection electricity energy metering devices.

Suitable for indoor and outdoor use.

Self-ventilated, moisture-proof and dust-proof.

Mounting methods: on the foundation, on the wall or support.

Standard color- RAL 7032.

Other colors are available according to project needs.

Technical Parameters

Nominal voltage U_n 400/230V

Insulation voltage U_i 400V

Nominal current I_n $\leq 100A$

Short-time withstand current I_{cw} $\leq 10kA$

Nominal frequency f 50 Hz

Ambient temperature $-35...+35^{\circ}C$

Degree of protection IP44

Mechanical impact IK08

Door opening angle 120°

Construction Material Coating

Frame, doors Galvanized sheet steel DX51+AZ150, $t=1,5mm$
Powder painting: RAL 7032, $\geq 80\mu m$

Base Sheet steel S235, $t=2,5mm$ Hot-dip zinc coating, $\geq 70\mu m$

Dimensions height/width/depth (mm)

EAS 2/1-1F 385 / 260 / 185

EAS-2/1-3F 460 / 340 / 185

EAS-2-1F 500 / 340 / 185

EAS-2-3F 600 / 450 / 185

EAS-4-1F 700 / 450 / 185

EAS-4-3F 1000 / 600 / 185

EAS-6-1F 750 / 600 / 185

EAS-6-3F 1000 / 800 / 185

EAS-9-1F 1000 / 800 / 185

Insert part height 600

The height of the base 1000

Standarts

IEC/EN 61439-1

IEC/EN 61439-5

IEC/EN 60529

IEC/EN 62262

LST EN 10346

LST ISO 1461